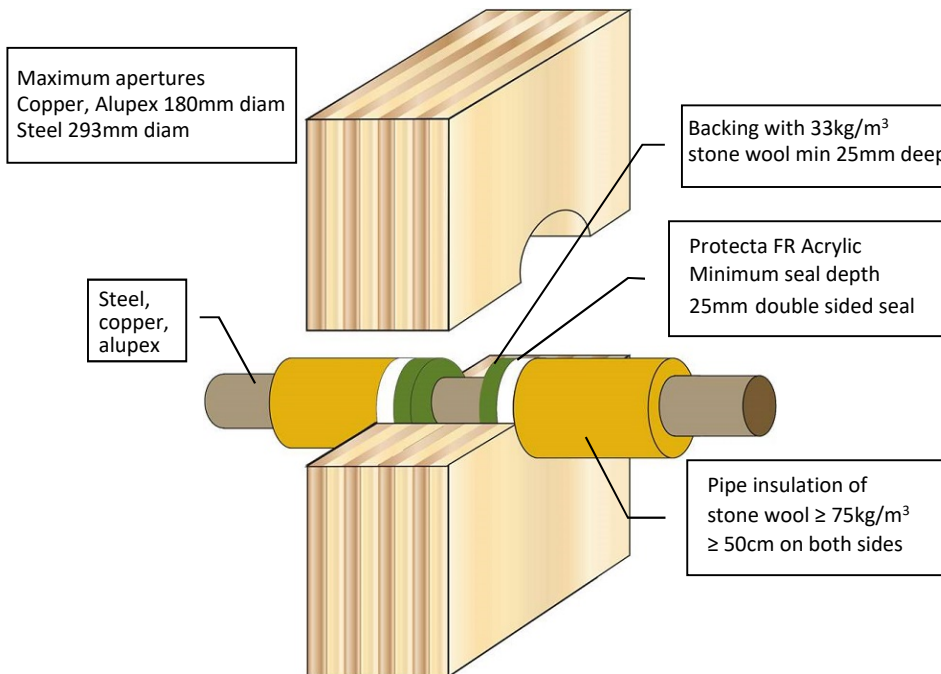


Protecta FR Acrylic 100mm Solid Timber or CLT Wall Steel, Copper, Alupex Pipe Insulation Interrupted

System/FPA Register ID# FC137

Installation Instructions

1. Before installing Protecta® FR Acrylic ensure that the surface of all service penetrations and surrounding construction is free from all loose contaminants, dust and grease.
2. As Protecta® FR Acrylic is water based, in cases where corrosion protection is a problem; some metals may require a barrier between the sealant and the metal surface prior to this installation.
3. Install the backing material. Cut this slightly oversize and insert into the gap ensuring a tight friction fit. Ensure correct depth is achieved.
4. Fill the gap or joint with Protecta® FR Acrylic on both sides to the required depth.
5. Apply the sealant generously to prevent air bubbles. Finish the bead with a moist spatula, pallet knife or brush.
6. Protecta® FR Acrylic can be over-painted with most emulsion or alkyd (gloss) paints.



Products	Protecta FR Acrylic Stone wool backing $\geq 33 \text{ kg/m}^3$
Application	Fire stopping of metal pipes in timber walls
Construction	Minimum wall thickness of 100 mm and comprise solid wood or cross-laminated timber minimum density of 510 kg/m^3

Fire & Sound classification

Steel pipes $\leq \text{Ø}273\text{mm}$ with $\geq 25\text{mm}$ thick pipe insulation	FRR -/90/60
Copper or steel pipes $\leq \text{Ø}54\text{mm}$ with $\geq 20\text{mm}$ thick pipe insulation	FRR -/90/60
Alupex pipes $\leq \text{Ø}75\text{mm}$ with $\geq 20\text{mm}$ thick pipe insulation	FRR -/90/90

ZERO smoke leakage up to 200Pa

Sound reduction (seal only) STC 62

As a part of our policy of on-going product development and testing, we reserve the right to modify, alter or change product specifications without giving notice. All information contained in this document is given in good faith and is provided for guidance only. Any drawings provided are for illustrative purposes only. As Polyseam has no control over the methods or competence of installation and of prevailing site conditions, no warranties, expressed or implied, is intended to be given as to the actual performance of the product mentioned or referred to herein and no liability whatsoever will be accepted for any loss, damage or injury arising from the use of the information given.

For all technical details on the products specified please refer to the technical data sheets that can be found on www.firestopcentre.co.nz

Signed and approved:



Polyseam Ltd, 15 St Andrews Road,
Huddersfield, West Yorkshire, HD1 6SB

Sheet size: A4	Drawn date & no: 24/5/21
--------------------------	-----------------------------

Scale: NTS	Drawn by: K.B
----------------------	------------------